

TOILET PARTITION HARDWARE

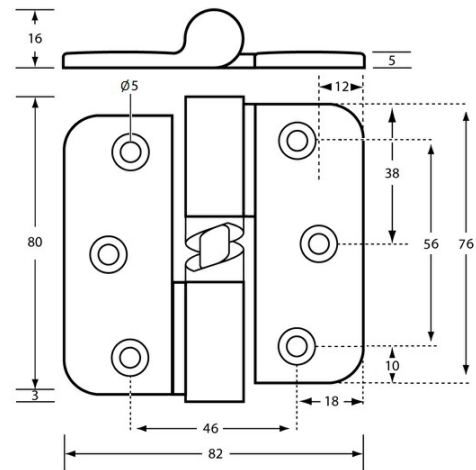


106C_ANMB

Antimicrobial 106C Gravity Hinge - Concealed Fix

Specification

Material	Diecast Zinc, Alloy ZP3 #304 Stainless Steel Shaft Nylon Inserts, ABS Snap On Covers
Finish	Antimicrobial Coated
Mounting	Concealed Screw Fix or Bolt Through
Specify	106C_LHHC_ANMB: Left Hand, Hold Closed. Assists door to move towards Hold Closed position 106C_LHHO_ANMB: Left Hand, Hold Open. Assists door to move towards Hold Open position
Features	Gravity assisted door opening with lift off capability.
Load Rating	15Kg per hinge For optimum performance - 2 hinges per door up to 30Kgs For doors over 30Kg allow for 15Kg per hinge
Note	For Bolt Through use 106C_FACEPLATE Concealed Fix Face Plate (Available in Satin Chrome Plate, Bright Chrome Plate and Satin Nickel Plate)
Disclaimer	Gravity hinges contain no mechanical components. Functionality of these hinges can vary depending on the environment. When selecting this product, please view our Product Disclosure Statement in the Care and Maintenance Download below.



Downloads & Resources

Care & Maintenance

The photographs and line drawings of the products presented above are representational only. Metlam Australia Pty Ltd reserves the right to, and from time to time, make changes and improvements in design and dimensions.